

Printer Controller Type B (G594)

Printer Controller Type B (G594)

PARTS CATALOG

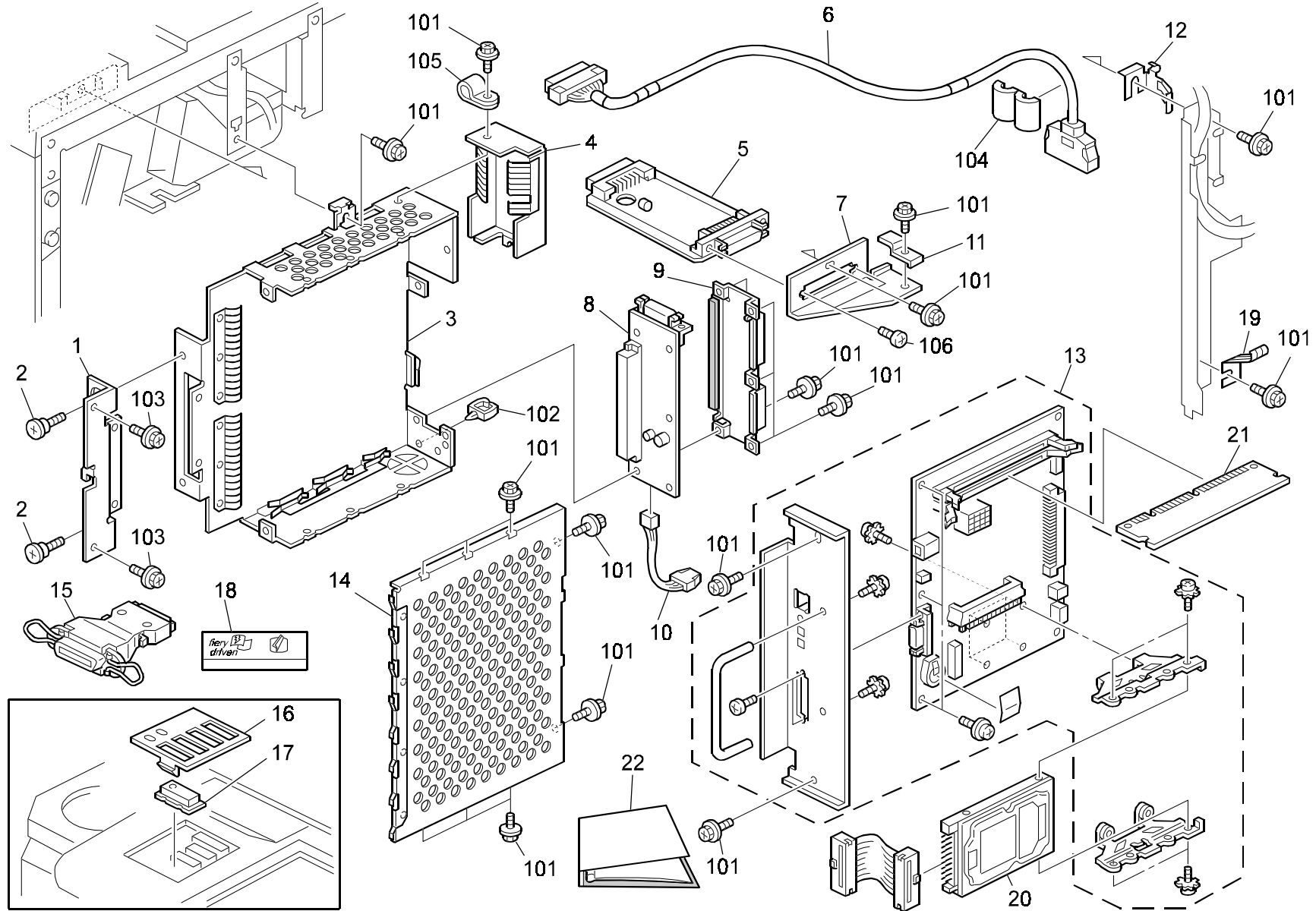
This catalog gives the numbers and names of parts on this machine.

CONTENTS

1.Printer Controller Type B (G594)	2
PARTS INDEX	5

October ,16 ' 2000

1. Printer Controller Type B (G594)



1. Printer Controller Type B (G594)

Index No.	Part No.	Description	Q'ty Per Assembly
1	B317 5411	Protection Bracket	1
2	G004 3519	Stepping Screw	2
3	B317 5400	Control Board Bracket	1
4	B336 5400	Connector Cover	1
5	B337 5320	I/F Board Ass'y	1
6	B317 5450	Video Harness	1
7	B317 5409	I/F Board Bracket	1
8	G588 5200	Mother Board	1
9	B336 5409	Mother Board Cover	1
10	B337 5451	Power source Harness	1
11	A229 5872	Harness Clamp	1
12	B317 5412	Right Upper Ground Plate	1
13	G594 5100	Control Board Ass'y	1
14	B317 5402	Control Board Cover	1
15	G588 5140	Plug - IEEE1284 Type C	1
16	B000 1490	Printer Cap	1
17	B000 1492	Keytop - Printer NA	1
17	B000 1493	Keytop - Printer EU	1
18	AA00 3009	Decal - EFI EB-70	1
19	B317 5413	Lower Ground Plate	1
20	G588 5130	HDD	1
21	G588 5120	IC - 64MB	1
22	G594 8200	Operating Instructions - English	1

Index No.	Part No.	Description	Q'ty Per Assembly
101	0451 3006B	Tapping Screw - M3x6	
102	1105 0236	Clamp	
103	0451 4008B	Philips Tapping Screw - M4x8	
104	1607 0672	Ferrite Core	
105	1105 0306	Metal Clamp - Al-4	
106	0312 5060M	Philips Pan Head Screw - M2.5x6	

Parts Index

Parts Index

Part No.	Description	Page and Index No.
G594 5100	Control Board Ass'y	3- 13
G594 8200	Operating Instructions - English	3- 22

Part No.	Description	Page and Index No.
AA00 3009	Decal - EFI EB-70	3- 18
B000 1490	Printer Cap	3- 16
B000 1492	Keytop - Printer NA	3- 17
B000 1493	Keytop - Printer EU	3- 17
B317 5400	Control Board Bracket	3- 3
B317 5402	Control Board Cover	3- 14
B317 5409	I/F Board Bracket	3- 7
B317 5411	Protection Bracket	3- 1
B317 5412	Right Upper Ground Plate	3- 12
B317 5413	Lower Ground Plate	3- 19
B317 5450	Video Harness	3- 6
B336 5400	Connector Cover	3- 4
B336 5409	Mother Board Cover	3- 9
B337 5320	I/F Board Ass'y	3- 5
B337 5451	Power source Harness	3- 10
G004 3519	Stepping Screw	3- 2
G588 5120	IC - 64MB	3- 21
G588 5130	HDD	3- 20
G588 5140	Plug - IEEE1284 Type C	3- 15
G588 5200	Mother Board	3- 8
G594 5100	Control Board Ass'y	3- 13
G594 8200	Operating Instructions - English	3- 22

Part No.	Description	Page and Index No.
A229 5872	Harness Clamp	3- 11

Part No.	Description	Page and Index No.
0312 5060M	Philips Pan Head Screw - M2.5x6	3-106
0451 3006B	Tapping Screw - M3x6	3-101
0451 4008B	Philips Tapping Screw - M4x8	3-103
1105 0236	Clamp	3-102
1105 0306	Metal Clamp - Al-4	3-105
1607 0672	Ferrite Core	3-104